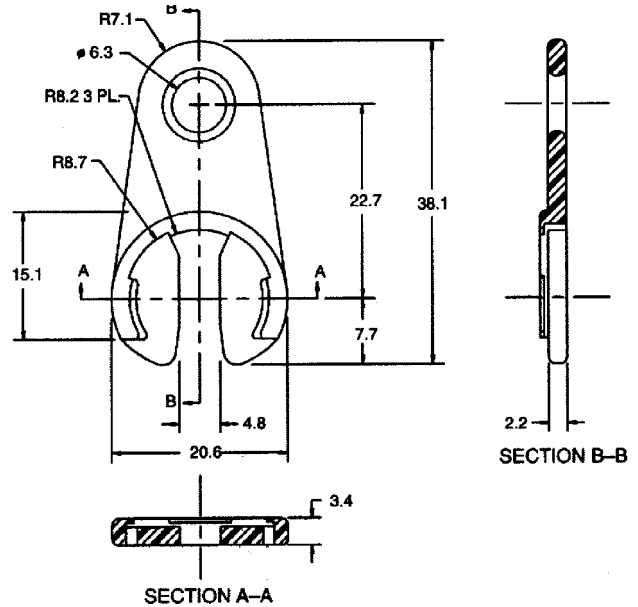


FEATURES

- Low-cost key ring mounts that hold an iButton® for thumbpad applications.
- Key ring mount versions:
 - DS9093A snap-in angled fob for use with F5 MicroCan®.
 - DS9093F snap-in fob for use with F5 MicroCan.
 - DS9093N angled fob for use with F5 MicroCan.
- DS9093A is available in the following colors other than standard black. When ordering, please note that there is a separate part number per color.
 - DS9093A = Black
 - DS9093AB = Blue
 - DS9093AY = Yellow
 - DS9093AR = Red
 - DS9093AG = Green

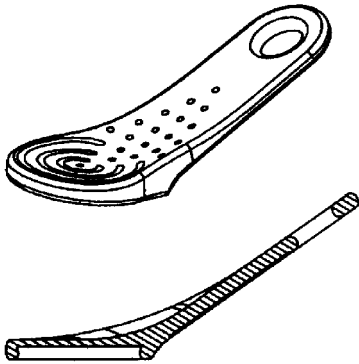
KEY RING MOUNTS

DS9093F

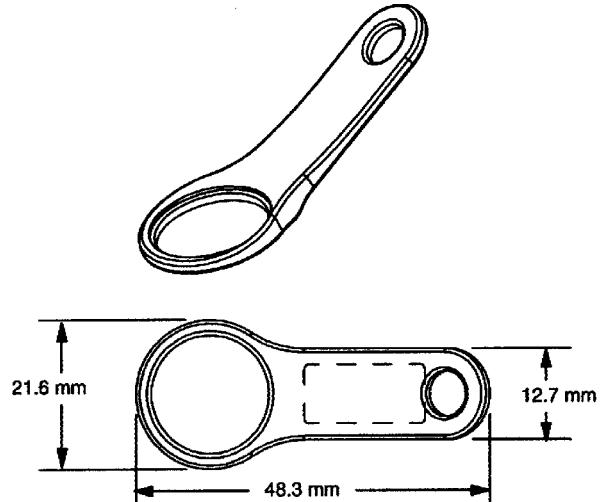


All dimensions are in millimeters.

DS9093A



DS9093N



DESCRIPTION

The DS9093F plastic snap-in fob offers the simplest way to mount an iButton for applications that require only momentary contact. The fob can be attached to a key ring for carrying. Do not apply solvents or adhesives to this fob. This might affect the mechanical strength and reliability.

The DS9093N angled fob is an alternate way to mount an iButton for applications that require only momentary contact. Due to the different mounting technique, the DS9093N can be used with the F5 MicroCan only. The iButton is inserted into this fob by press-fitting. For permanent mount, the iButton can be locked by a DS9093RA Lock Ring.

The DS9093A is very similar to the DS9093N. It has about the same size as the DS9093N and can be used with the F5 MicroCan only. The iButton is inserted by press-fitting the flange of the MicroCan into the cavity of the fob. In contrast to the DS9093N, no additional parts are needed for permanent mounting. The DS9093A is available in black, blue, green, red, and yellow.